

# GS120-EMERGENCY GENERATOR STOP

Pilla Electrical Products, Inc.



**DESCRIPTION:**

Maintained, push-pull mushroom operator, 40mm dia. red, with engraved white lettering:

"PULL TO RESET"

Bold luminous legends.

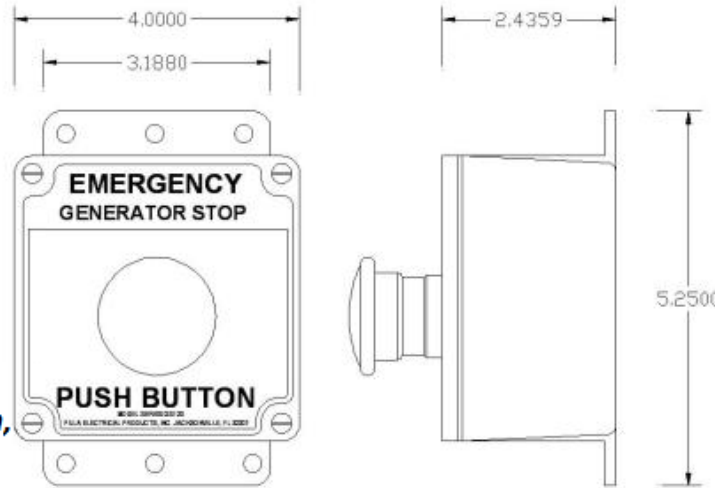
External mounting feet top & bottom.

NEMA 4, 4X, 12.

Contact block capacity:

for standard depth 1-3 per station,

for XD version 6 per station.



GS120IL



GS120CLM



GS120RP2



PILNCCB



PILNCCB

<p><b>RATED OPERATIONAL CHARACTERISTICS CONFORMING TO EC/EN 60947-5-1</b></p>	<p><b>AC SUPPLY:</b> UTILIZATION CATEGORY AC-15</p>	<p><b>STANDARD BLOCKS (SINGLE OR DOUBLE) WITH SCREW CLAMP TERMINALS:</b> A600: Ue=600Vac AND Ie=1.2 A OR Ue=240 Vac AND Ie= 3 A OR Ue = 120 Vac AND Ie = 6 A CONTINUOUS THERMAL CURRENT 10 A</p>	
	<p><b>DC SUPPLY:</b> UTILIZATION CATEGORY DC-13</p>	<p><b>STANDARD SINGLE OR DOUBLE BLOCKS WITH SCREW CLAMP TERMINALS:</b> Q600: Ue= 600VdC AND Ie = 0.1 A</p>	
		<p>24 Vdc</p>	<p>0.5 A</p>